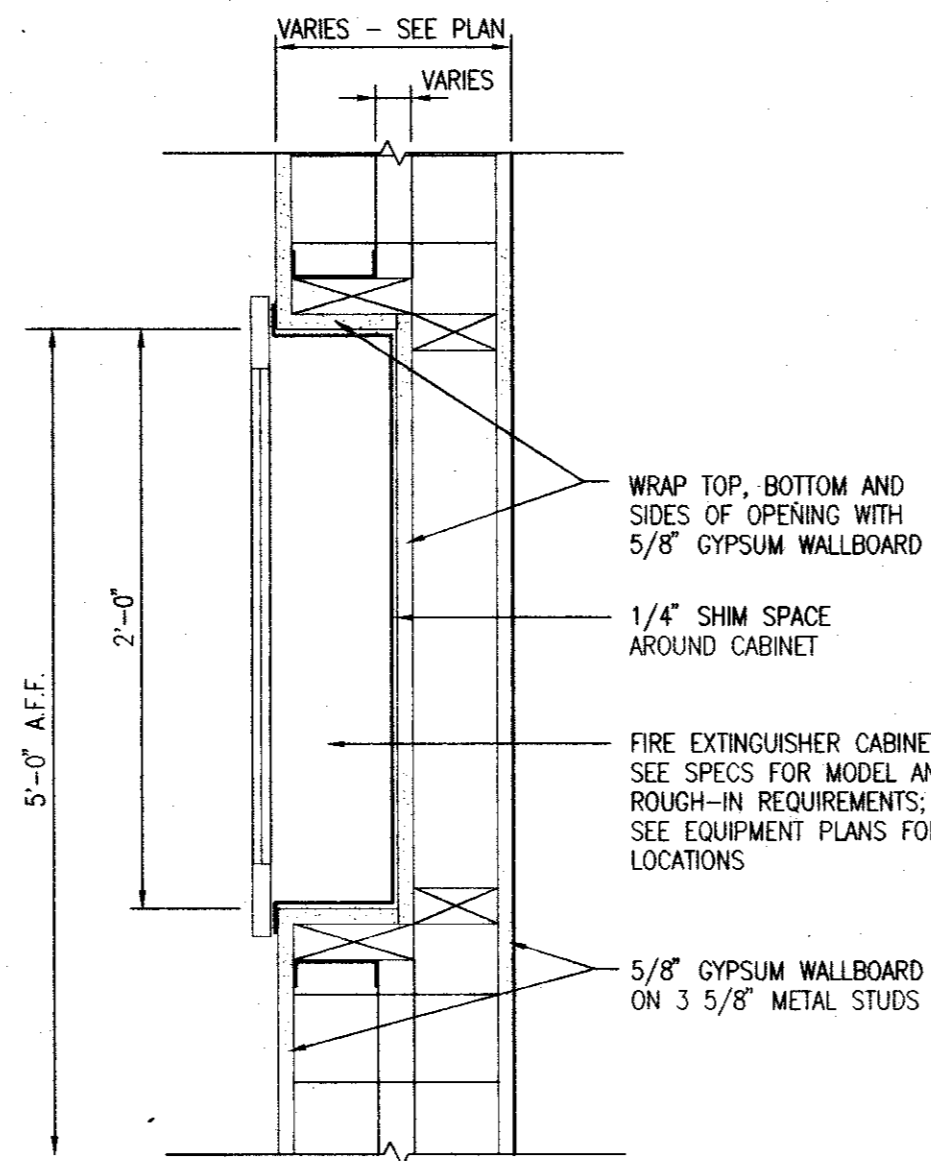
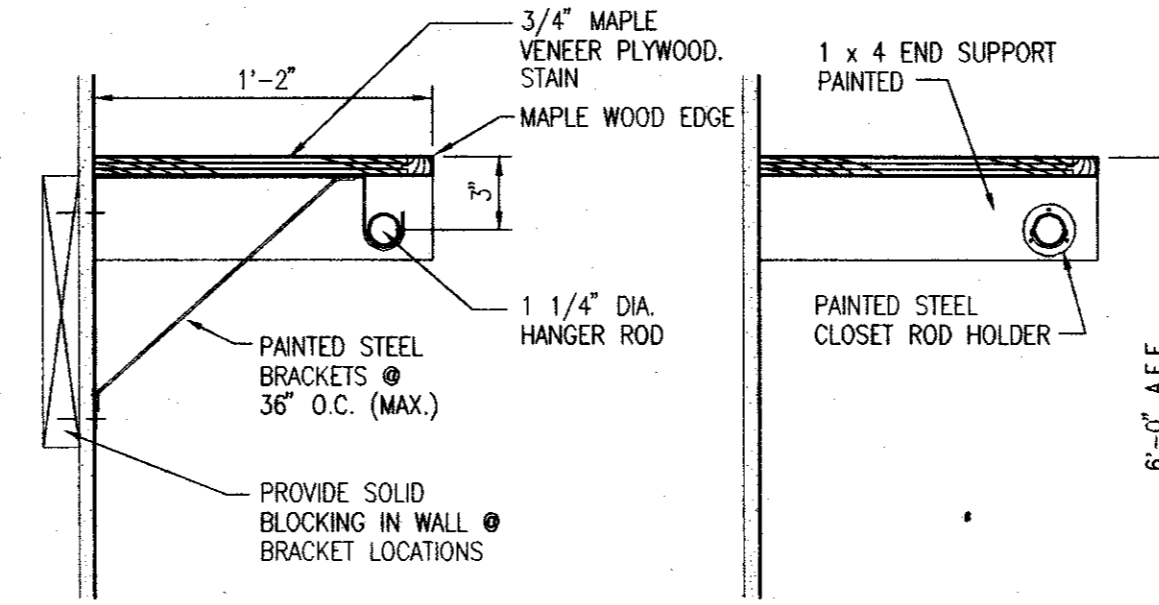


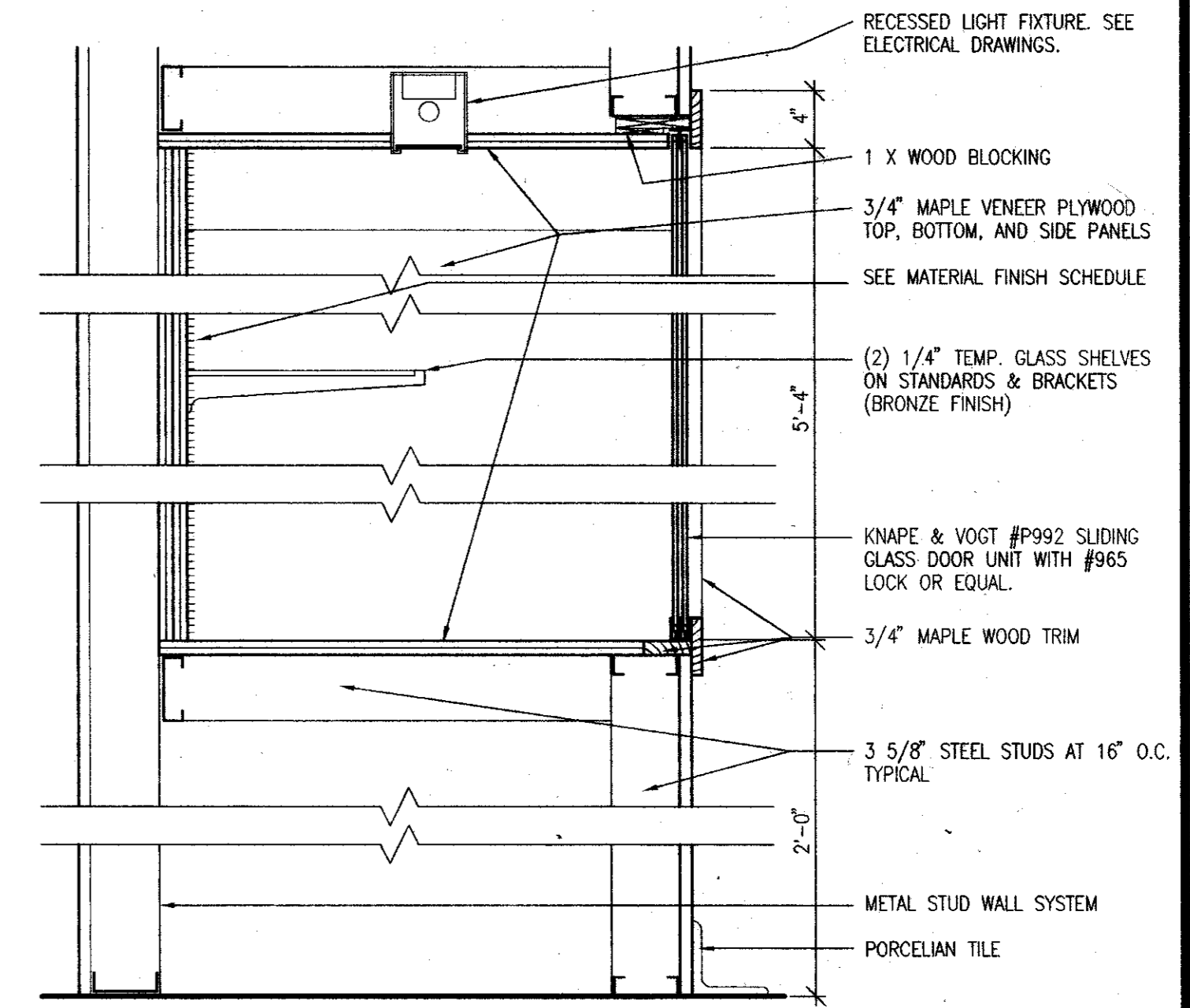
LOCKER BAY HEAD DETAIL (D 14) A9.1
SCALE: 1 1/2" = 1'-0"



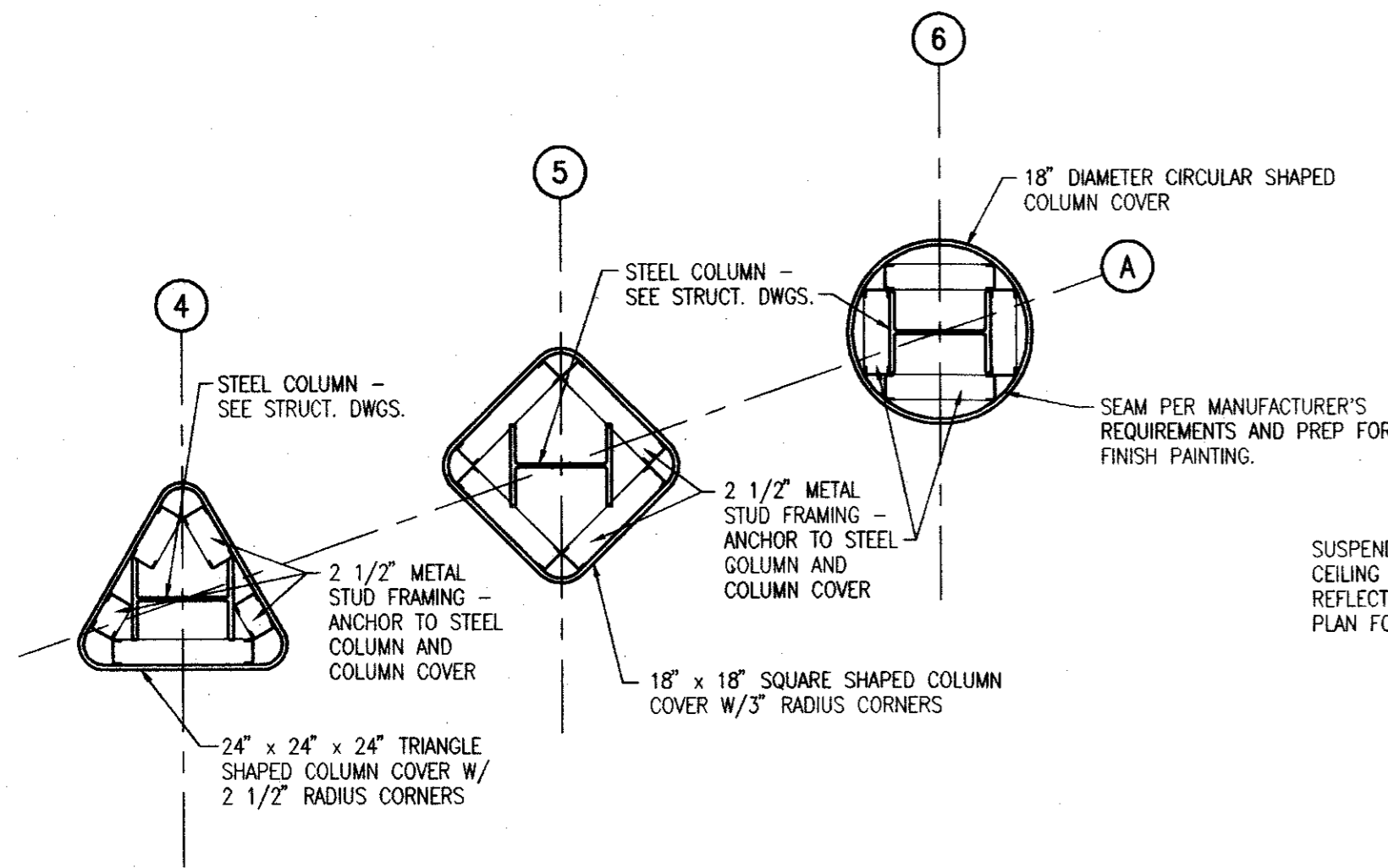
FIRE EXTINGUISHER DETAIL (D 13) A9.1
SCALE: 1 1/2" = 1'-0"



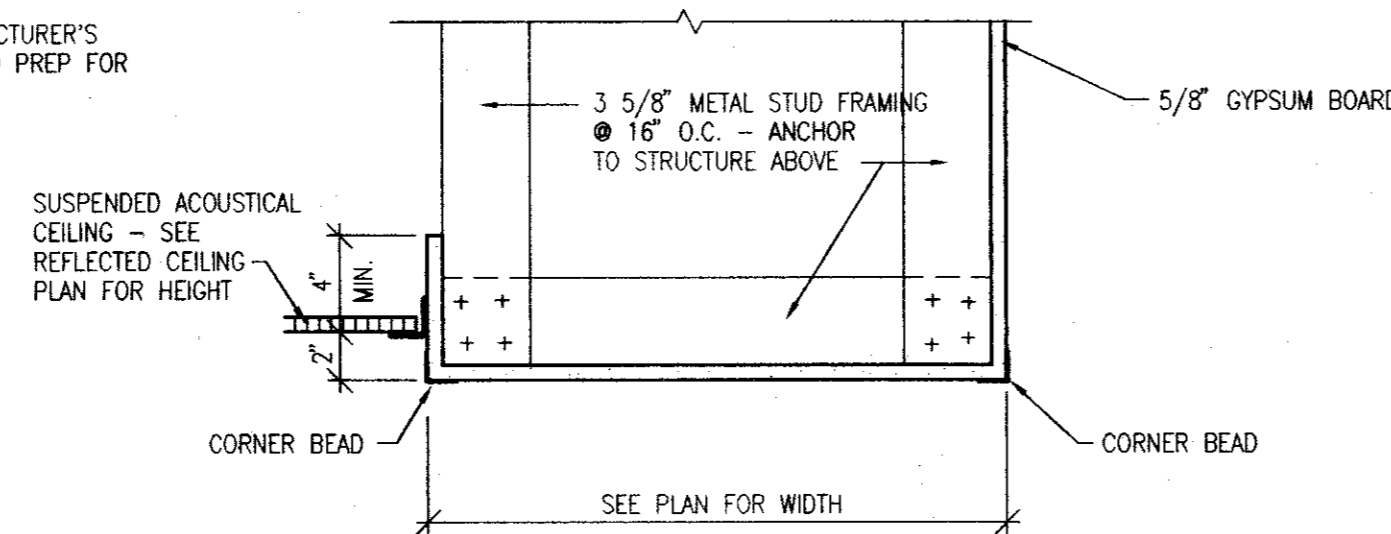
HANGING ROD DETAIL (D 12) A9.1
SCALE: 1 1/2" = 1'-0"



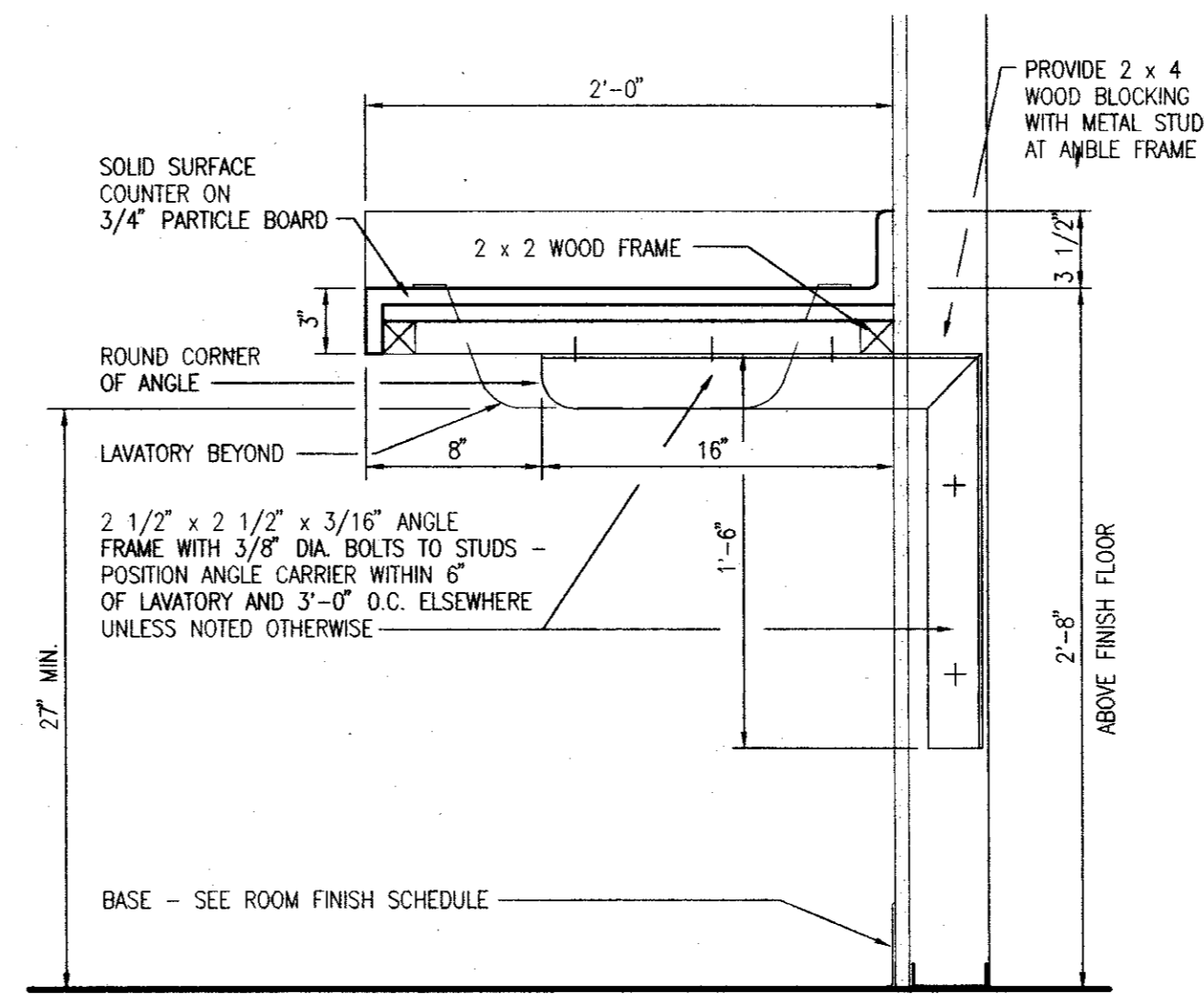
DISPLAY CASE DETAIL (D 11) A9.1
SCALE: 1 1/2" = 1'-0"



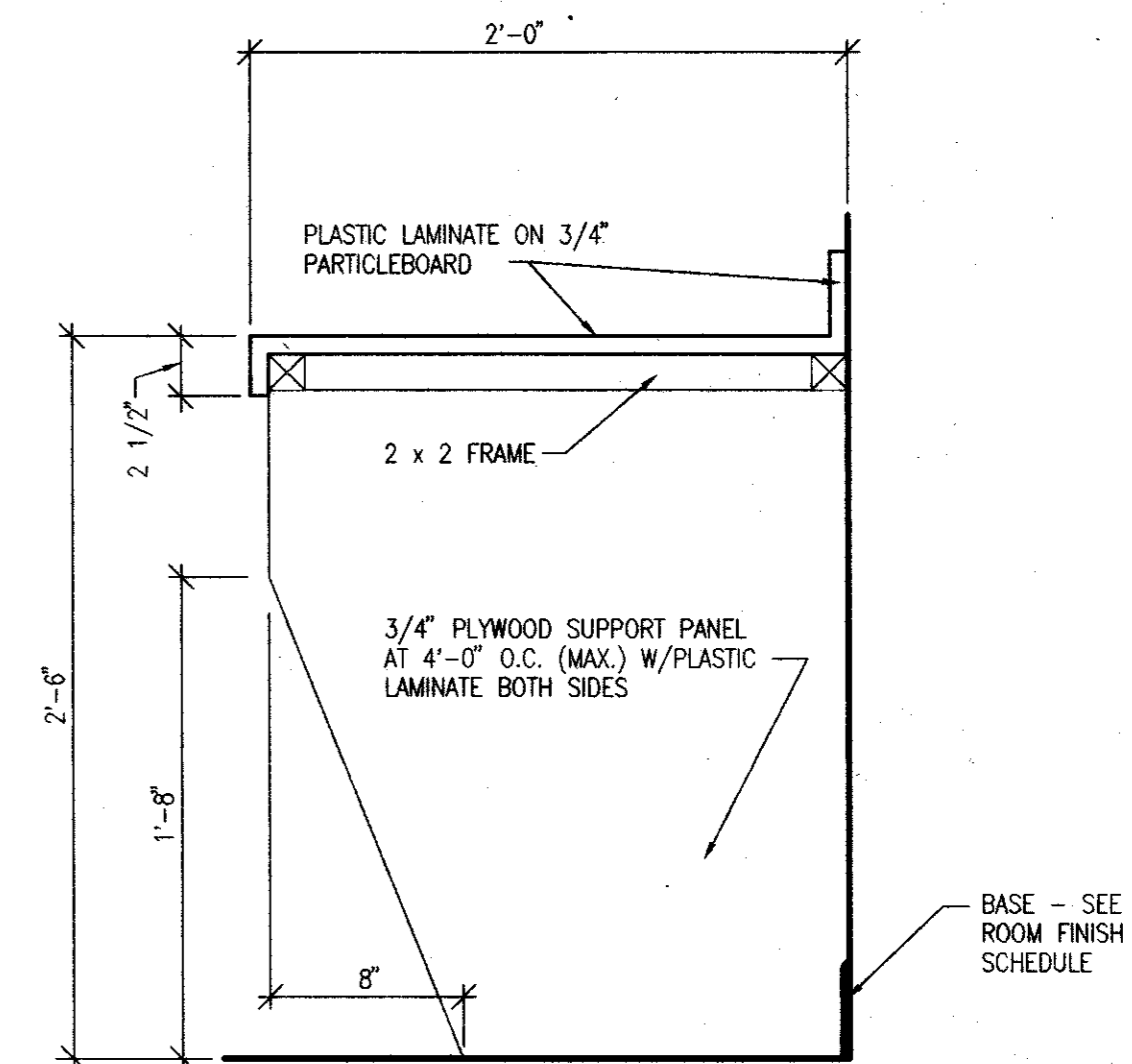
COLUMN COVER DETAIL (D 18) A9.1
SCALE: 3/4" = 1'-0"



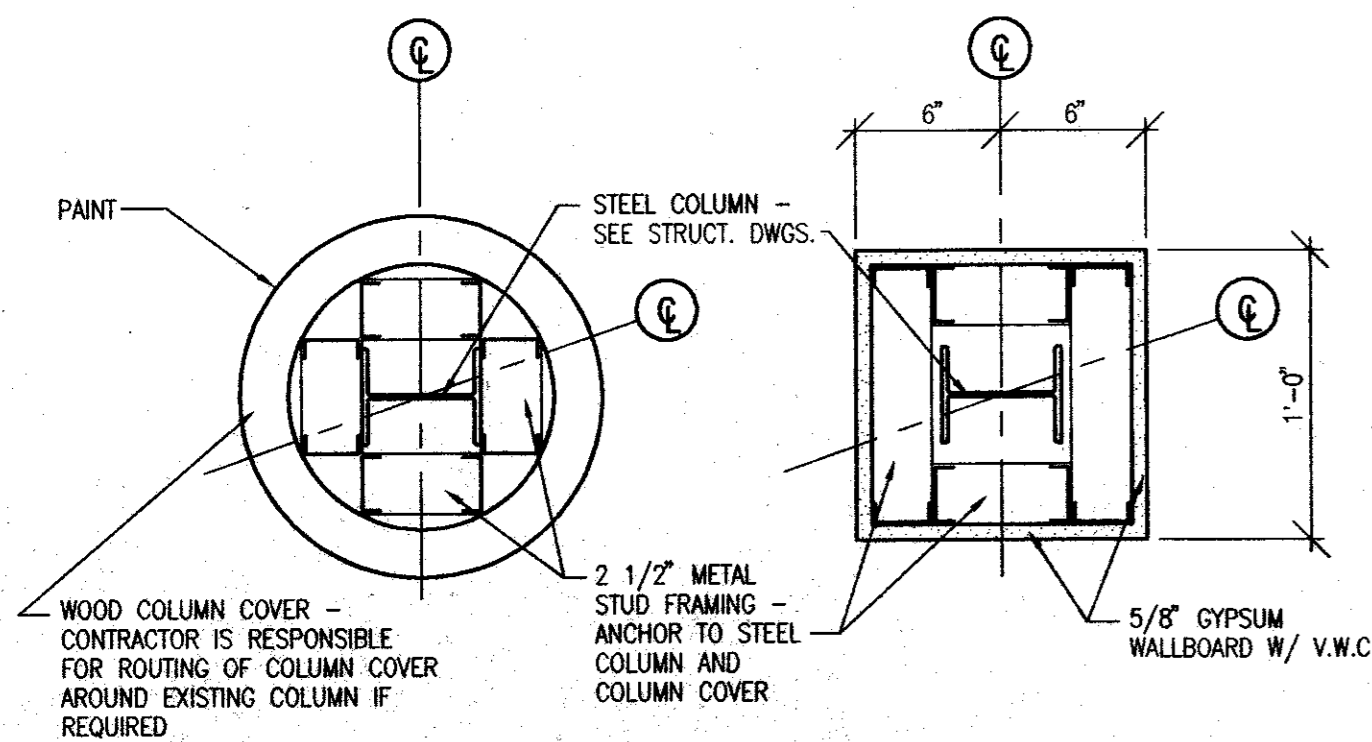
TYPICAL BULKHEAD DETAIL (D 17) A9.1
SCALE: 1 1/2" = 1'-0"



LAVATORY DETAIL (D 16) A9.1
SCALE: 1 1/2" = 1'-0"

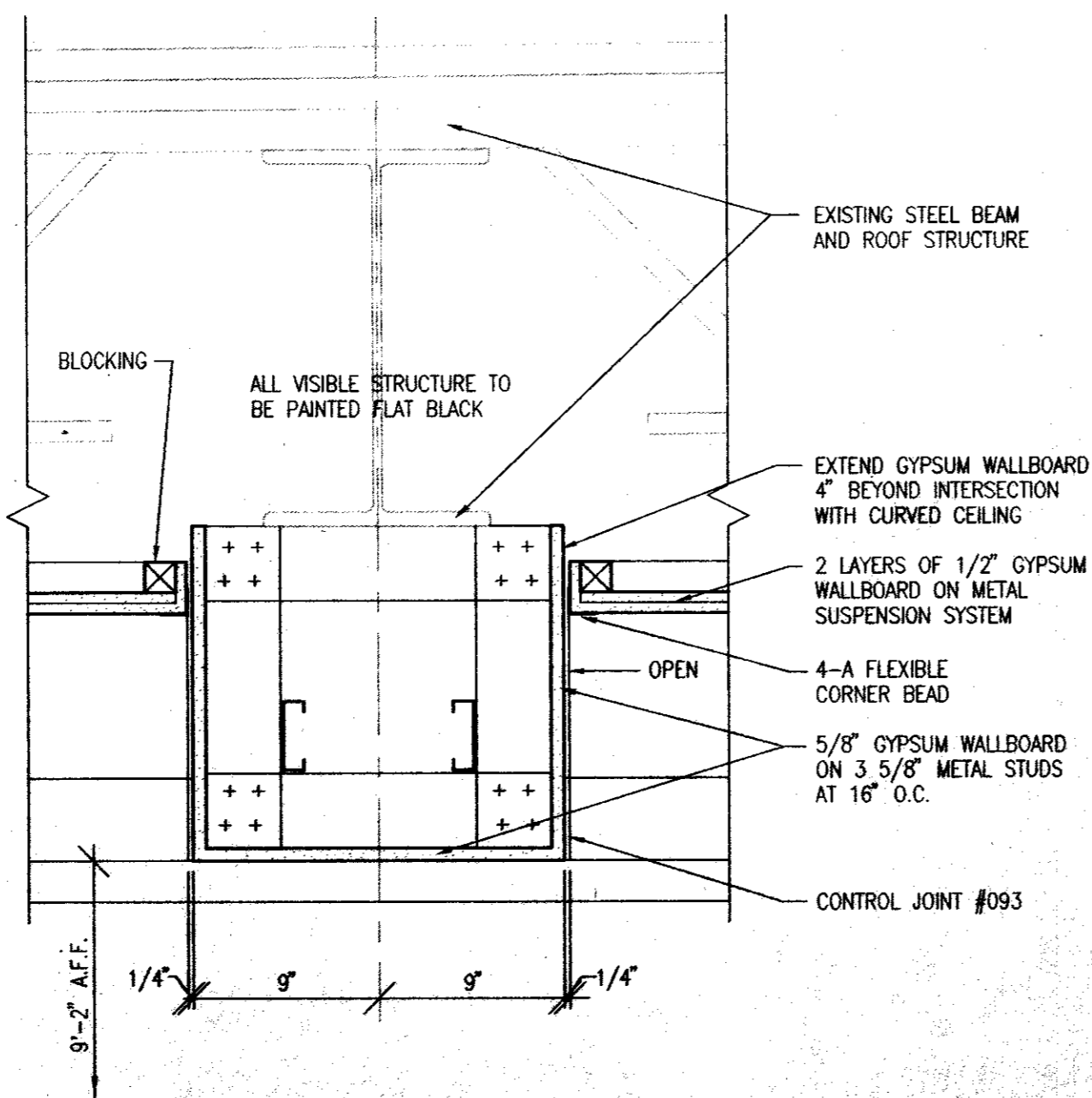


COUNTER DETAIL (D 15) A9.1
SCALE: 1 1/2" = 1'-0"

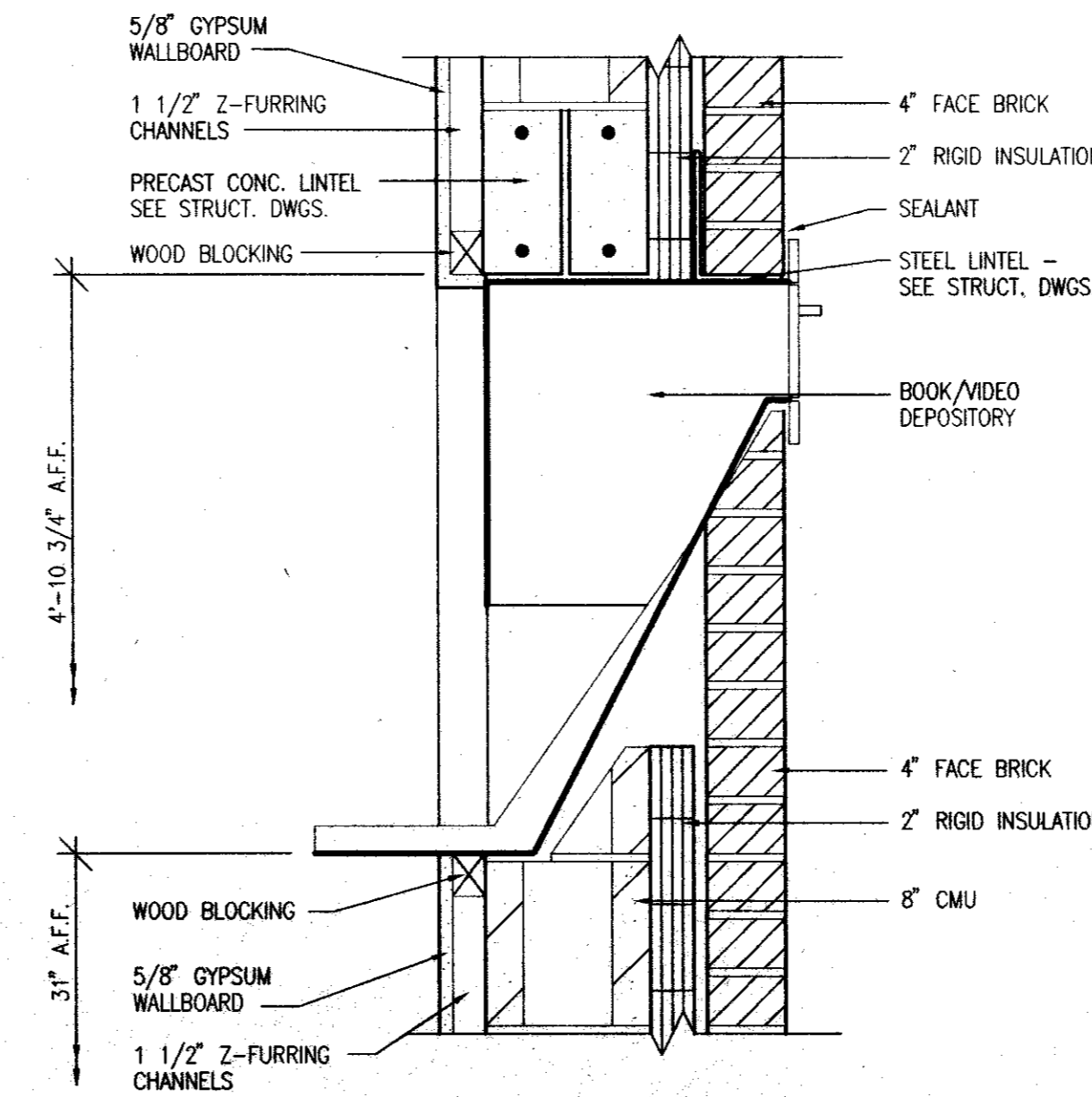


Alternate #5
AT COLUMNS ALONG
COLUMN LINES 4 & X3

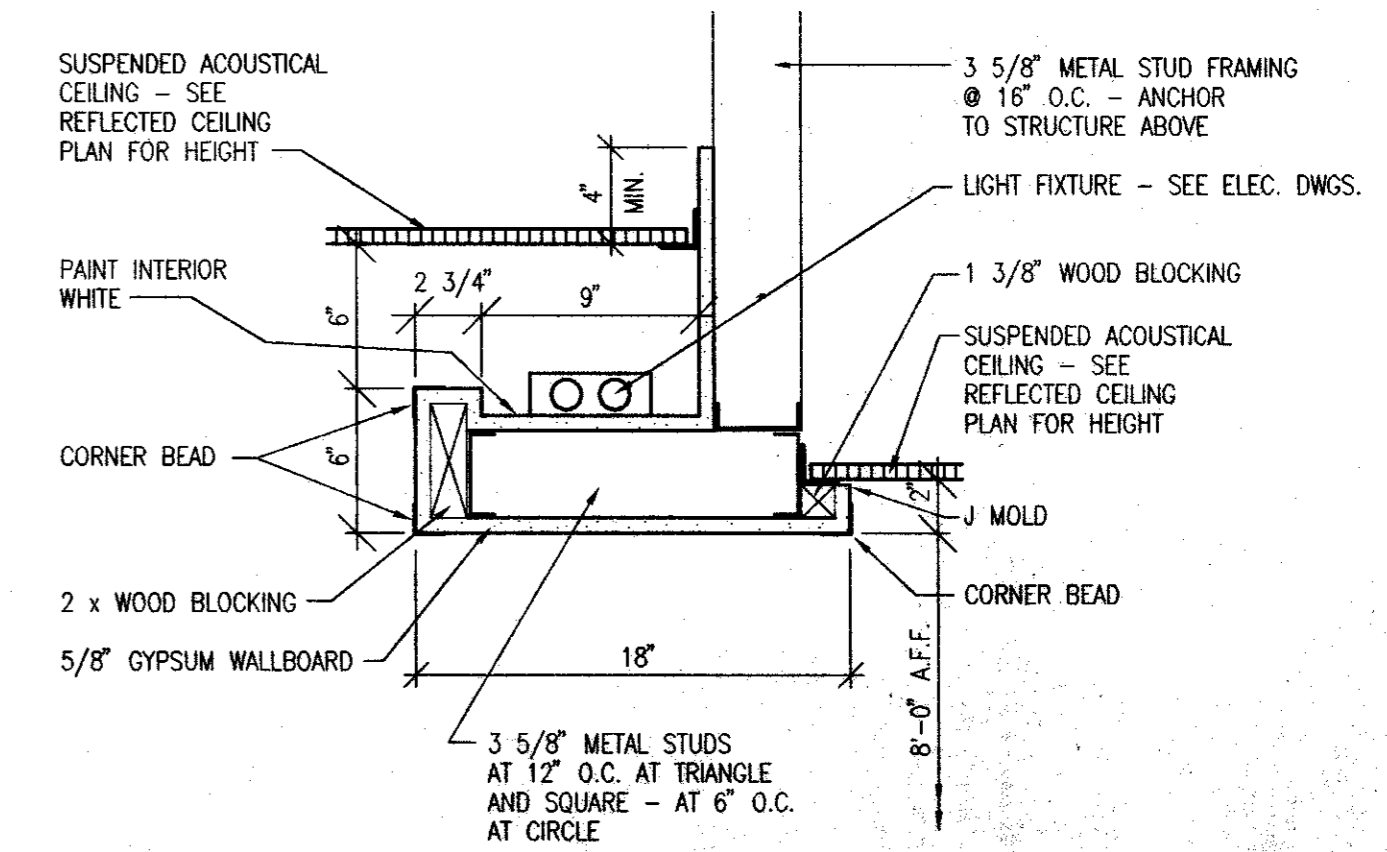
COLUMN COVER DETAIL (D 12) A9.1
SCALE: 1 1/2" = 1'-0"



BULKHEAD DETAIL (D 11) A9.1
SCALE: 1 1/2" = 1'-0"



BOOK DEPOSITORY DETAIL (D 10) A9.1
SCALE: 1 1/2" = 1'-0"



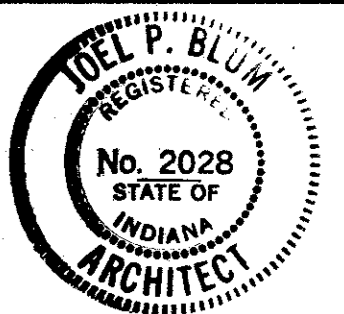
SOFFIT DETAIL (D 9) A9.1
SCALE: 1 1/2" = 1'-0"

The InterDesign Group, Inc.
141 East Ohio Street
Indianapolis, Indiana 46204
317/263-9655 Fax 317/263-9644

Goshen Public Library
Addition & Renovation
601 South Fifth Street Goshen, Indiana

Miscellaneous Details

Mark	Revision



Dwn By **DAW** Chkd By **CSM**

Date **August 19, 1993**

These drawings are the property of the Architect and are not to be reused or reproduced without his written permission.

Project Number **921030**

Sheet Number

A 9.1

The InterDesign Group

Total Architectural Development